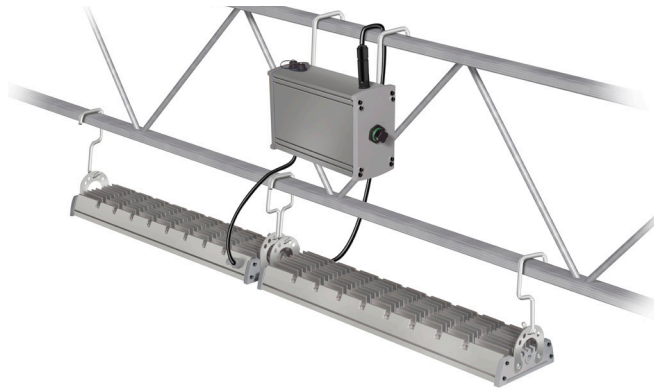




# P.L. LIGHT SYSTEMS

THE LIGHTING KNOWLEDGE COMPANY

T: 905.563.4133  
 Toll Free: 1.800.263.0213  
 F: 905.563.0445  
 www.pllight.com



PRODUCT	TriPlane Linear
Project	
Notes	



## TECHNICAL SPECIFICATIONS<sup>†</sup>

Rated Main Voltage		208-480V												
Amperage (max)		208V		240V		277V		347V		400V		480V		
SINGLE-CHANNEL	RWMB	HO	1.52 <sup>1</sup>	3.22 <sup>2</sup>	1.32 <sup>1</sup>	2.79 <sup>2</sup>	1.15 <sup>1</sup>	2.42 <sup>2</sup>	0.91 <sup>1</sup>	1.93 <sup>2</sup>	0.79 <sup>1</sup>	1.68 <sup>2</sup>	0.66 <sup>1</sup>	1.40 <sup>2</sup>
		LO	0.90 <sup>1</sup>	1.90 <sup>2</sup>	0.78 <sup>1</sup>	1.65 <sup>2</sup>	0.68 <sup>1</sup>	1.43 <sup>2</sup>	0.54 <sup>1</sup>	1.14 <sup>2</sup>	0.47 <sup>1</sup>	0.99 <sup>2</sup>	0.39 <sup>1</sup>	0.83 <sup>2</sup>
	DAYLIGHT	HO	1.46 <sup>1</sup>	3.08 <sup>2</sup>	1.26 <sup>1</sup>	2.67 <sup>2</sup>	1.09 <sup>1</sup>	2.31 <sup>2</sup>	0.87 <sup>1</sup>	1.85 <sup>2</sup>	0.76 <sup>1</sup>	1.60 <sup>2</sup>	0.63 <sup>1</sup>	1.34 <sup>2</sup>
		LO	0.86 <sup>1</sup>	1.82 <sup>2</sup>	0.74 <sup>1</sup>	1.58 <sup>2</sup>	0.64 <sup>1</sup>	1.37 <sup>2</sup>	0.51 <sup>1</sup>	1.09 <sup>2</sup>	0.45 <sup>1</sup>	0.95 <sup>2</sup>	0.37 <sup>1</sup>	0.79 <sup>2</sup>
	RWMB_FR	HO	1.59 <sup>1</sup>	3.39 <sup>2</sup>	1.38 <sup>1</sup>	2.94 <sup>2</sup>	1.19 <sup>1</sup>	2.55 <sup>2</sup>	0.95 <sup>1</sup>	2.03 <sup>2</sup>	0.83 <sup>1</sup>	1.76 <sup>2</sup>	0.69 <sup>1</sup>	1.47 <sup>2</sup>
		LO	0.99 <sup>1</sup>	2.11 <sup>2</sup>	0.86 <sup>1</sup>	1.83 <sup>2</sup>	0.74 <sup>1</sup>	1.58 <sup>2</sup>	0.59 <sup>1</sup>	1.26 <sup>2</sup>	0.51 <sup>1</sup>	1.10 <sup>2</sup>	0.43 <sup>1</sup>	0.91 <sup>2</sup>
DUAL-CHANNEL	RWMB+FR	HO	1.63 <sup>1</sup>	3.42 <sup>2</sup>	1.41 <sup>1</sup>	2.97 <sup>2</sup>	1.22 <sup>1</sup>	2.57 <sup>2</sup>	0.97 <sup>1</sup>	2.05 <sup>2</sup>	0.85 <sup>1</sup>	1.78 <sup>2</sup>	0.70 <sup>1</sup>	1.48 <sup>2</sup>
Power			RWMB		Daylight		RWMB_FR		RWMB+FR <sup>‡</sup> (2 CH)					
		HO	318.4W <sup>1</sup>	670.8W <sup>2</sup>	302.9W <sup>1</sup>	641.1W <sup>2</sup>	330.8W <sup>1</sup>	705.1W <sup>2</sup>	338.2W <sup>1</sup>	712.0W <sup>2</sup>				
		LO	187.0W <sup>1</sup>	396.0W <sup>2</sup>	178.3W <sup>1</sup>	379.2W <sup>2</sup>	205.4W <sup>1</sup>	438.9W <sup>2</sup>	N/A					
Light Source		LED												
Photon Efficacy			RWMB		Daylight		RWMB_FR		RWMB+FR <sup>‡</sup> (2 CH)					
(350-800nm)		HO	3.3 µmol/J		2.6 µmol/J		3.1 µmol/J		3.3 µmol/J					
		LO	3.2 µmol/J		2.5 µmol/J		3.2 µmol/J		N/A					
Photon Flux			RWMB		Daylight		RWMB_FR		RWMB+FR <sup>‡</sup> (2 CH)					
(350-800nm)		HO	1042 µmol/s <sup>1</sup>	2084 µmol/s <sup>2</sup>	825 µmol/s <sup>1</sup>	1651 µmol/s <sup>2</sup>	1105 µmol/s <sup>1</sup>	2209 µmol/s <sup>2</sup>	1157 µmol/s <sup>1</sup>	2313 µmol/s <sup>2</sup>				
		LO	628 µmol/s <sup>1</sup>	1256 µmol/s <sup>2</sup>	482 µmol/s <sup>1</sup>	964 µmol/s <sup>2</sup>	712 µmol/s <sup>1</sup>	1424 µmol/s <sup>2</sup>	N/A					
Power Factor		>0.97												
Input Frequency		50/60Hz												
Application Environment		Intended for use in for Indoor (non-stacked) and Greenhouse controlled environments; Max. Ambient Temp of 40°C												
Lifetime		L90B5 at 50,000 hrs*												

<sup>†</sup>Driver at the Output (single LED module). Note that single LED module measurements are stated only as a requirement of DLC. The luminaire will only operate when two LED modules are connected to the driver.  
<sup>‡</sup>Driver at the Input (two LED modules) <sup>1</sup>Accurate to ± 10% <sup>2</sup>CSA / DLC pending (RWMB+FR only) <sup>\*</sup>Scientifically extrapolated calculation for Par Maintenance of light is L90B5 at 50,000hrs (this means that expected lifespan of LEDs is defined as ≤5% of luminaires can depreciate below the expected 90% PAR maintenance within 50,000 hours).

## SPECIFICATION

1. LUMINAIRE	2. COLOUR SPECTRUM	3. OUTPUT	4. VOLTAGE	5. DIMMING
TriPlane Linear Single-Channel	RWMB Daylight RWMB_FR	High Output (HO) Low Output (LO)	208-400V 480V	0-10V* Dim to Off
TriPlane Linear Dual-Channel	RWMB+FR	High Output (HO)	277-480V	0-10V* Dim to Off

\*The TriPlane is designed as a 0-10V sourcing supply, and is compatible with most major environmental control systems that use 0-10V sinking protocols—including: Hoogendoorn, Argus Control Systems, Priva and Wadsworth Control Systems  
 Limited warranty for a period of five (5) years, from date of invoice.

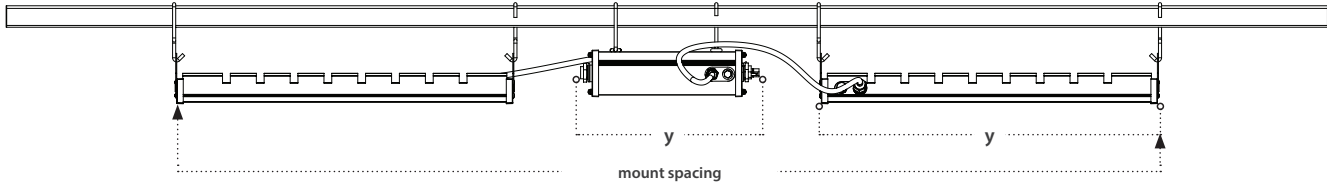


# LINEAR MOUNTING CONFIGURATION

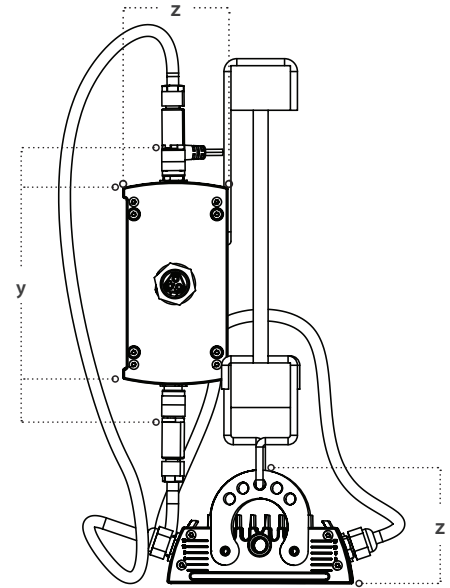
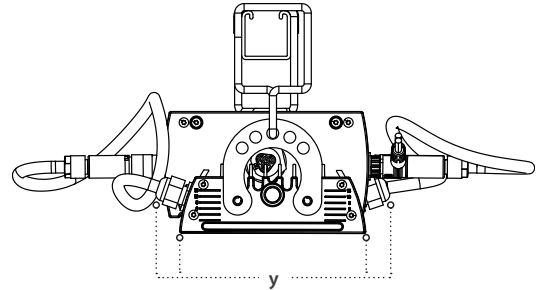
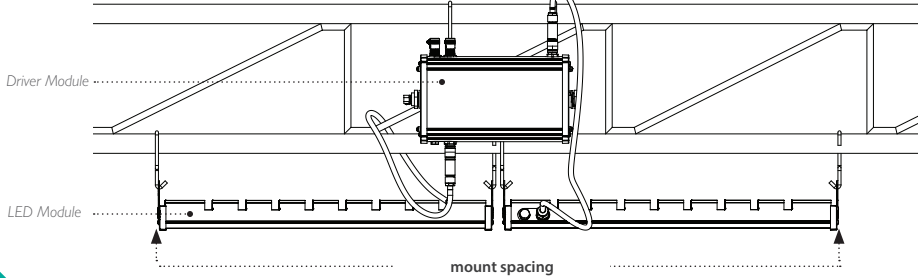
**P.L. LIGHT SYSTEMS**  
THE LIGHTING KNOWLEDGE COMPANY

T: 905.563.4133  
www.pllight.com

Driver Module Mounted Horizontally Below the Track



Driver Module Mounted Vertically Above the Track



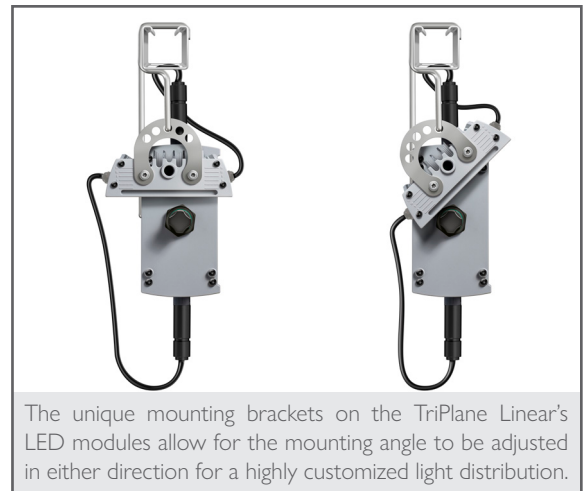
## DIMENSIONS

	LED Module		Driver Module (208-400V models)		Driver Module (480V models)	
	excl. connectors	incl. connectors	excl. connectors	incl. connectors	excl. connectors	incl. connectors
Length (x)	25.60 in (650mm)		13.30 in (338 mm)		25.20 in (640 mm)	
Width (y)	6.22 in (158 mm)	7.83 in (199 mm)	9.13 in (232 mm)	13.31 in (338 mm)	9.13 in (232 mm)	13.31 in (338 mm)
Height (z)	3.82 in (97mm)		3.55 in (90mm)		3.55 in (90mm)	
Weight	11.2 lb. (5.1 kg)		6.8 lb. (3.1 kg)		16.1 lb. (7.3 kg)	

## MOUNT SPACING

	Driver Module Mounted Above Track		Driver Module Mounted Below Track	
			208-400V models	480V models
Minimum	51.97 in (1320 mm)		74.41 in (1890 mm)	86.30 in (2192 mm)
Maximum	292.25 in (7423 mm)		316.50 in (8039 mm)	328.5 in (8344 mm)

DAISY-CHAIN GUIDE	Max. Number of Luminaires / String		
		Luminaire Output	
		HO	LO
POWER	208V	3	6
	240V	4	7
	277V	4	8
	347V	5	10
	400V	6	12
	480V	6	12
DIMMING		25	25





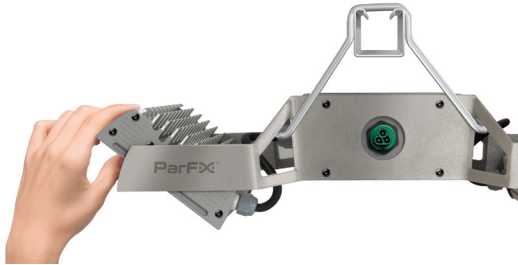
## SQ MOUNTING CONFIGURATION

# P.L. LIGHT SYSTEMS

THE LIGHTING KNOWLEDGE COMPANY

T: 905.563.4133

www.pllight.com



With the TriPlane Linear's SQ mounting configuration, LED modules can be field-adjusted independently in 15° increments in either direction — allowing for highly customized light distribution.

**Standard Distribution**



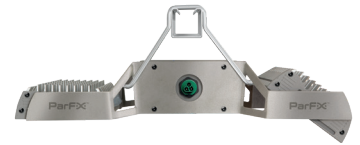
**Wide Distribution**



**Focused Distribution**

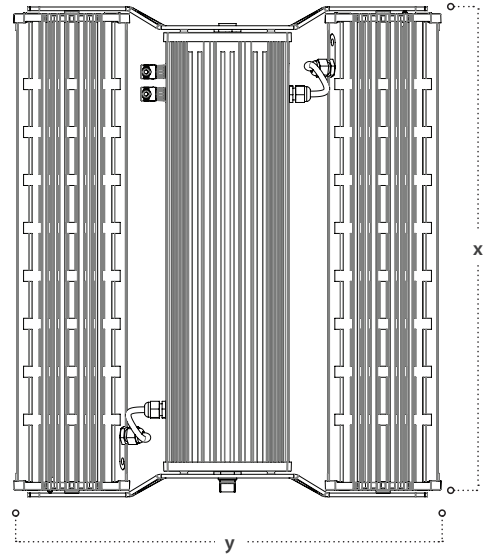
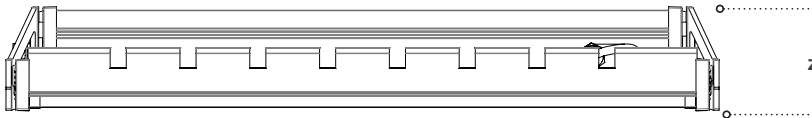


**Asymmetric Distribution**



### DIMENSIONS

Length (x)	26.14 in (664mm)
Width (y)	22.80 in (579 mm)
Height (z)	3.81 in (96.7 mm)
Weight	34.1 lb. (15.5 kg)



DAISY-CHAIN GUIDE		Max. Number of Luminaires / String	
		Luminaire Output	
		HO	LO
POWER	208V	3	6
	240V	4	7
	277V	4	8
	347V	5	10
	400V	6	12
	480V	6	12
DIMMING		25	25