



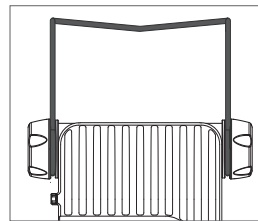
T: 905.563.4133  
www.pllight.com

# P.L. LIGHT SYSTEMS

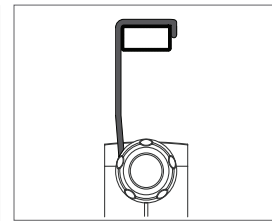
THE LIGHTING KNOWLEDGE COMPANY



FIXTURE	HSE NXT2
Project	
Notes	



Wire Bracket – Side View



Wire Bracket – End View

TECHNICAL SPECIFICATIONS†					
	600W		1000W		
RATED MAIN VOLTAGE	277V	347V	277V	347V	400V
Input Current	2.29A	1.86A	3.77A	3.01A	2.58A
Power Factor	>0.98		>0.98		
Input Frequency	50/60Hz		50/60Hz		
Actual Input Power	630W	630W	1,045W	1,045W	1,032W
Lamp Type	HPS 600W	400V Electronic	HPS 1,000W	400V Electronic	

†Accurate to ± 10%

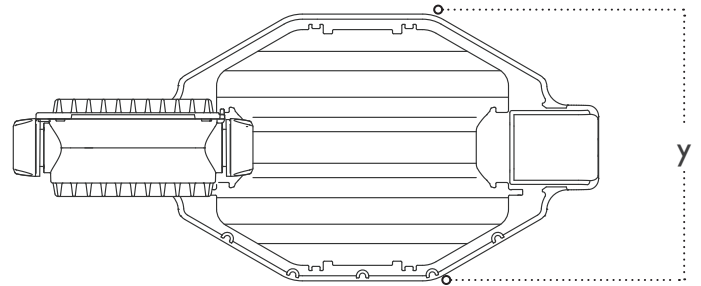
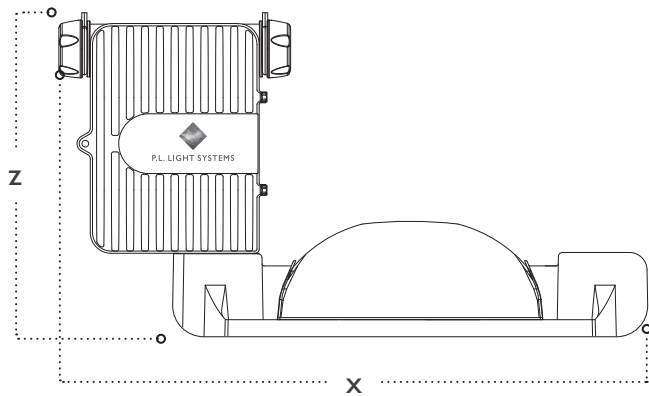


For maximum lifetime and performance of the HPS ballast and lamp, do not rapidly cycle luminaire on and off. Always observe 15-30 minute wait time when luminaire is turned off before applying power again (restrike) to allow lamp to cool sufficiently. The control system should be limited to 2 power-up (strikes) / day. Excessive strikes / day may decrease the life of the ballast and/or lamp.

## SPECIFICATION

1. FIXTURE	2. FIXTURE WATTAGE	3. VOLTAGE	4. LIGHT SOURCE	5. REFLECTOR	6. CORD / PLUG	7. MOUNTING
NXT2 NXT2 RST	600 Watts† 1000 Watts	277V 347V 400V*	600W USHIO HPS DBL 1,000W PL Light HPS DBL 1,000W Philips HPS DBL	Beta	Consult Factory	2" x 1" NXT2 Truss Bracket 2" x 2" NXT2 Truss Bracket 1-5/8" x 1-5/8" NXT2 Track Bracket Custom Hanging Bracket
	†special order only	*1000W version ONLY				

Warranty Terms: Fixtures warranted for forty (40) months; electronic drivers forty (40) months; HPS Lamps four (4) years or 10,000 burning hours, whichever comes first. Complete system forty (40) month warranty period applies to product configurations with factory standard P.L. Light Systems' ballast ONLY. Warranty period may vary for configurations with ballast and/or lamp by other manufacturers.



DIMENSIONS	
x = length	23.375 in. (59.4cm)
y = width	10.25 in. (26cm)
z = height	12.0 in. (30.48cm)
weight	8.82 lbs (4.0kg)

