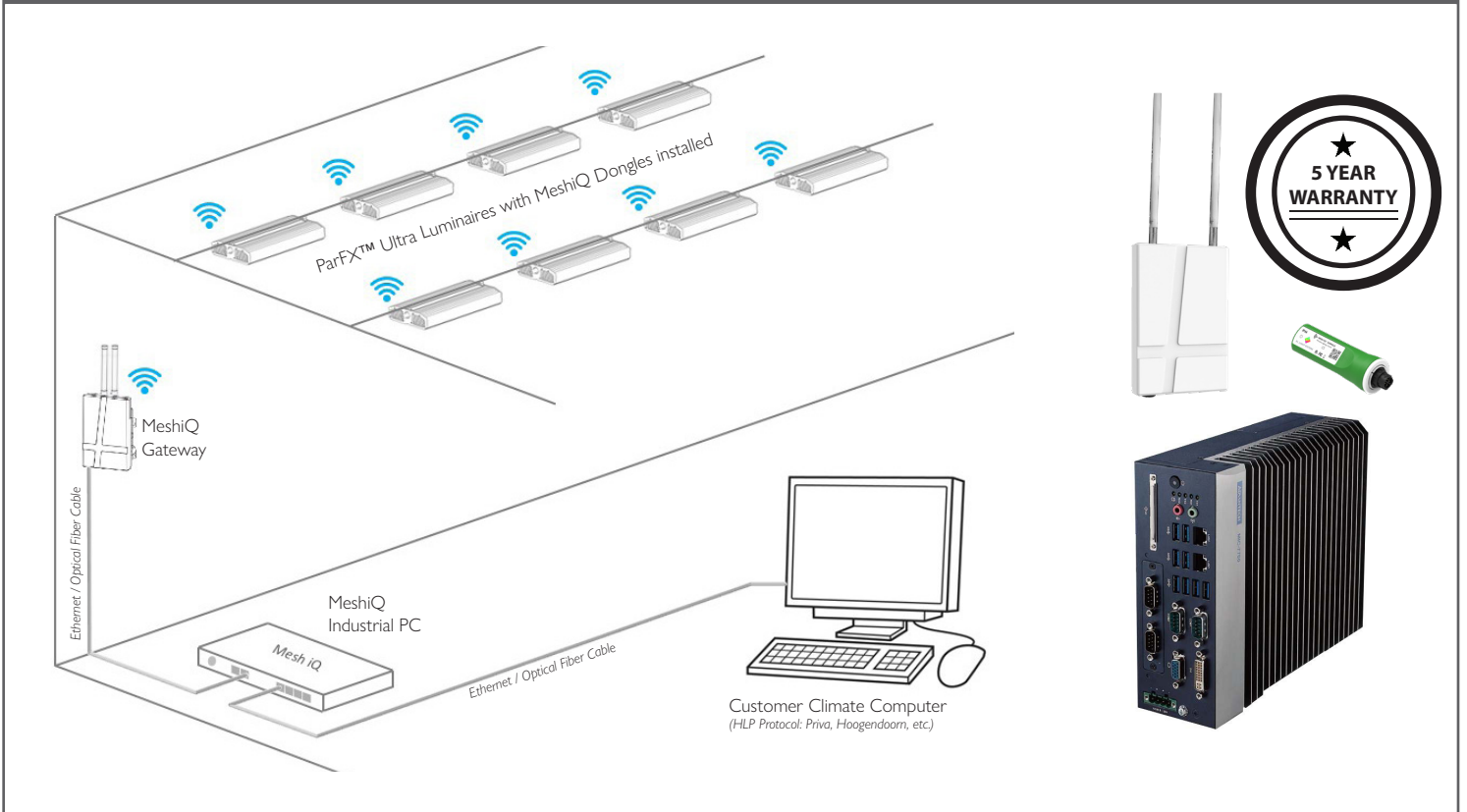




P.L. LIGHT SYSTEMS
THE LIGHTING KNOWLEDGE COMPANY

MeshiQ Wireless Control System

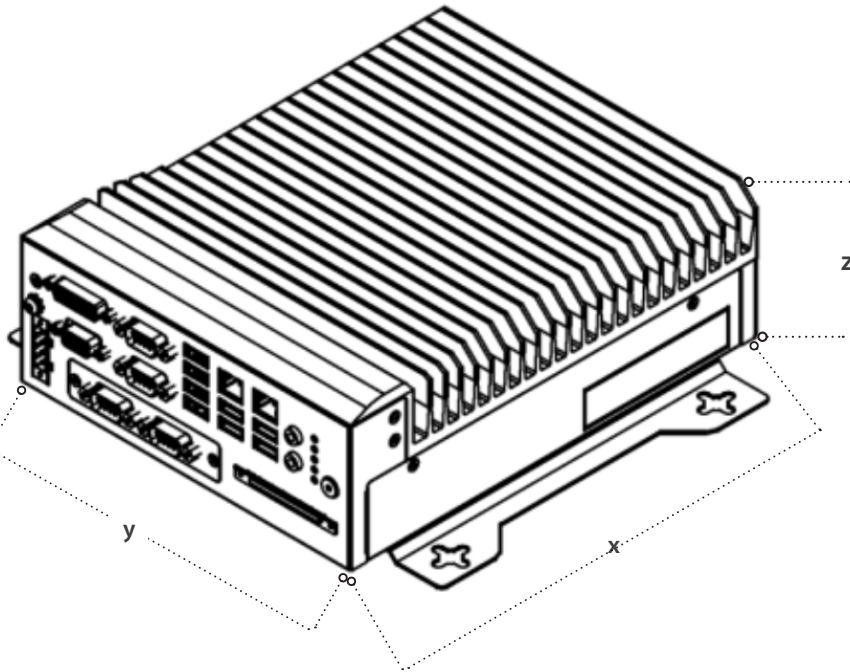


TECHNICAL SPECIFICATIONS†			
Electrical	100-240V / <4.8W		
Control Protocol	Modbus TCP/IP and LoRaWAN		
Radio Frequency	915 MHz		
Wireless Range (Gateway)	≤ 1000 ft. (305m)		
Transmitting Power	<30 dBmS		
# Independent Channels	4		
Environment	45°C Max. Ambient Operating Temperature; 10% - 95% non-condensing humidity		
IP Rating	Gateway	Industrial PC	Dongle
	IP67	N/A	IP66
Compatibility	Compatible with all Horticultural Lighting Protocol (HLP) Module Enabled Climate Control Systems		
Warranty	5-Year Limited Warranty		

†Accurate to ± 10%



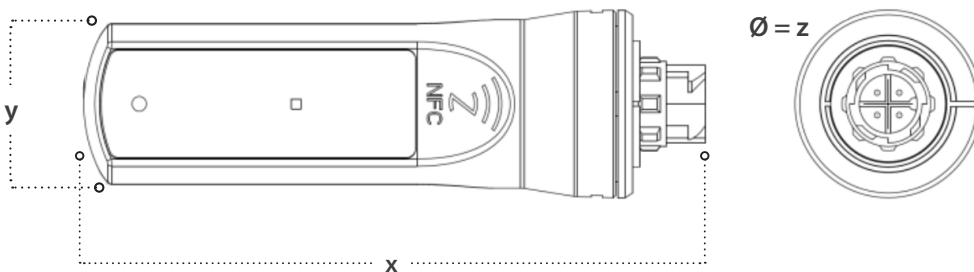
MeshiQ Industrial PC



DIMENSIONS

Length (x)	9.06 in (230 mm)
Width (y)	7.56 in (192 mm)
Height (z)	3.07 in (78 mm)
Weight	6.1 lb. (2.8 kg)

MeshiQ Dongle



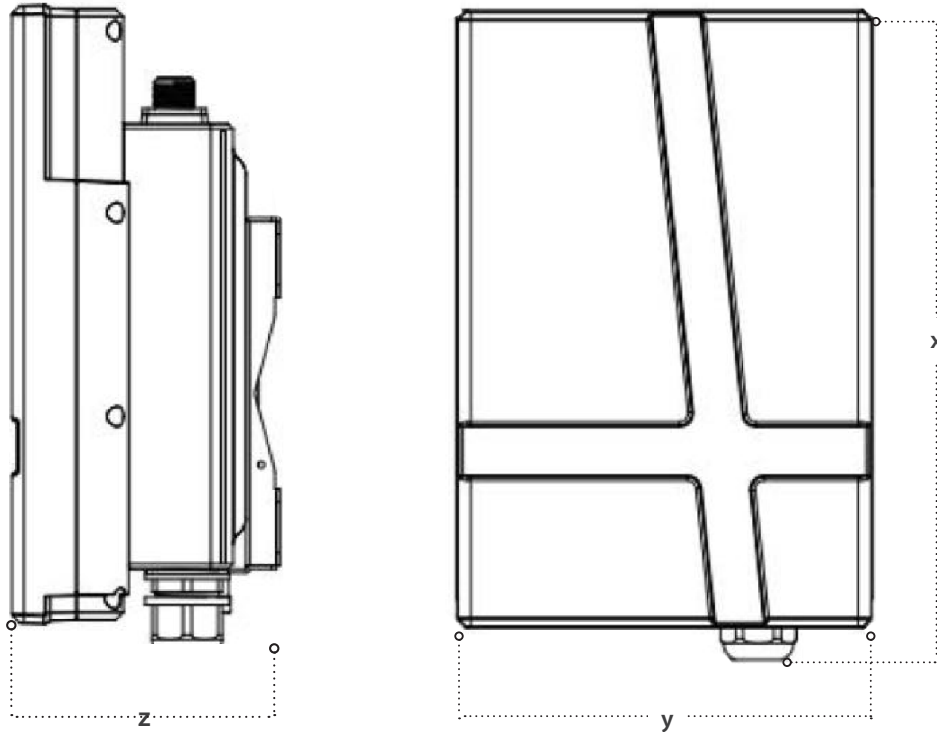
DIMENSIONS

Length (x)	5.05 in. (128.3 mm)
Width (y)	1.30 in. (33.0 mm)
Diameter (z)	1.52 in. (38.5 mm)
Weight	0.15 lb. (66 g)

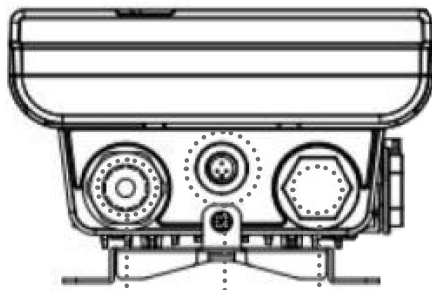


P.L. LIGHT SYSTEMS
THE LIGHTING KNOWLEDGE COMPANY

MeshiQ Gateway

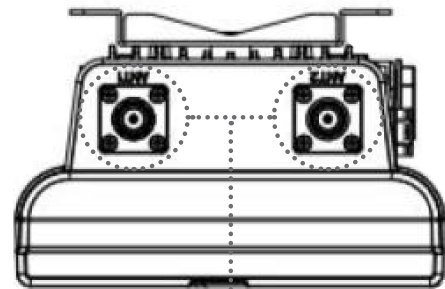


DIMENSIONS	
Length (x)	10.04 in (255 mm)
Width (y)	6.50 in (165 mm)
Depth (z)	3.58 in (91 mm)
Weight	6.1 lb. (2.8 kg)



Bottom View

LED Indicator Light ••• DC Power Inlet ••• Ethernet Connection



Top View

••• LoRaWAN Antenna Sockets

LED INDICATOR CODES	
SYS LED - Green	Always on: System is working normally
SYS LED - Red	System error*
LoRa - OFF	LoRa connection not responding
LoRa - Green	LoRa connection working normally

*Contact P.L. Light Systems for technical assistance 905.563.4133

TECHNICAL ASSISTANCE
For technical assistance, please contact P.L. Light Systems: T: 905.563.4133 E: info@pllight.com