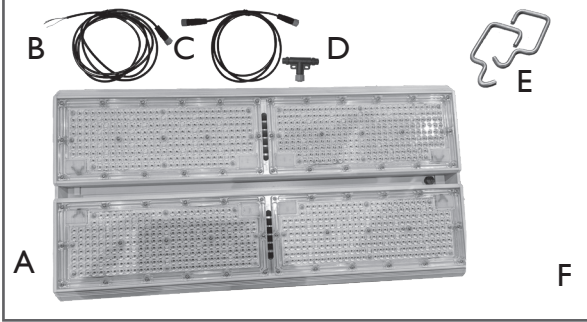




Always turn off and lock out the branch circuit before commencing installation or maintenance work.

1 Main Components



Unbox luminaire(s) and place on soft surface, along with relevant accessories.

- A** ParFX Ultra / ParFX Ultra Plus Luminaire
- B** 0-10V Control Supply Cord*
- C** Daisy-Chain 0-10V Dimming Connector Cord*
- D** Daisy-Chain 0-10V Dimming Cord T-Connector*
- E** Mounting Brackets (x2)
- F** Power Supply Cord

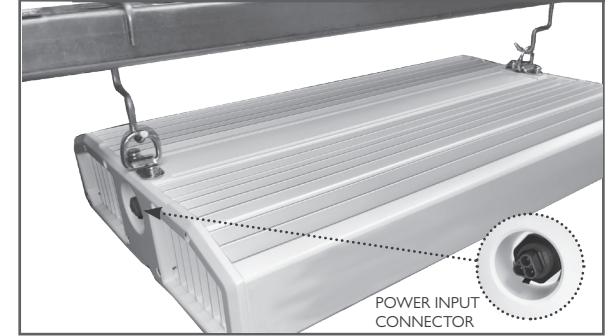
optional accessories

2 Install Mounting Brackets



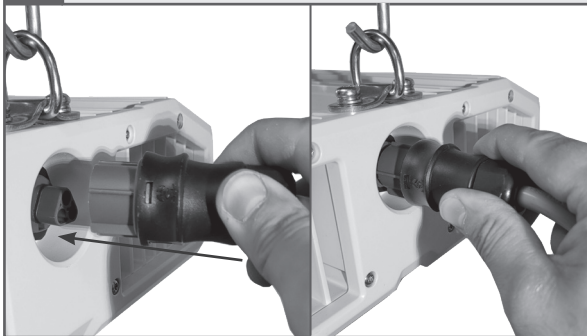
- Place the luminaire (with the glass lens facing down) on a cushioned surface to prevent damage.
- With hooks facing in opposite directions, insert the open ends of the supplied mounting brackets into the D-Rings on either end of the luminaire

3 Mount Luminaire



- Supporting luminaire on either end from below, orient so that the end with the power input connector is aligned with power supply.
- Raise luminaire to ceiling at a 45° angle to the mounting structure, then rotate it parallel, so both brackets are aligned above mounting structure.
- Lower luminaire so that both brackets securely hook over the top of the mounting structure.

4 Connect Power Cord



- Connect the whip end of the power cord to branch circuit. Align 3-pin female connector on power cord with 3-pin male input connector on luminaire and push into luminaire connector until firmly engaged.

NOTE: Coil and secure excess cable - allowing for drip loops to draw moisture away from connectors

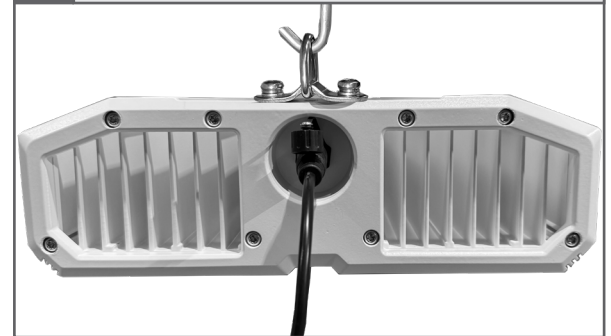
5a Install 0-10V Connector Cord



- If connecting luminaire(s) to a control system, remove connector cap from 0-10V input connector on opposite end of luminaire.

NOTE: If daisy-chaining 0-10V dimming, skip steps 5 and 6 and go to page 2

5b Install 0-10V Connector Cord



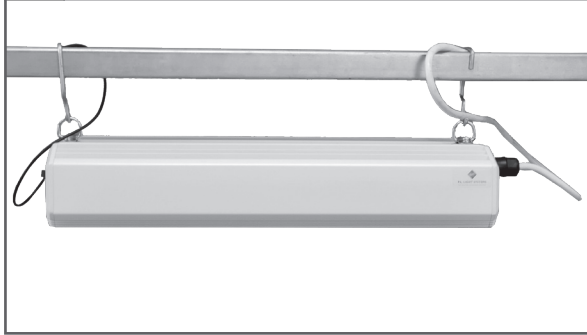
- Push and click open end of female connector on 0-10V control supply cord into the male control input connector on luminaire and twist to lock.

NOTE: 0-10V connector must remain capped when not in use to ensure safe operation and IP integrity. Use of luminaire(s) with exposed connectors will void the product warranty.

ATTENTION: Luminaires should only be installed by qualified individuals, and in accordance with national and local building and electrical codes.



6 Connect to Control System



- Secure whip end of 10V control supply cord to mounting structure, leaving enough slack to create drip loop.
- Connect whip end to control system.

PHOTOBIOLOGICAL RISK GROUP 2

CAUTION Possibly hazardous radiation emitted from this product. Do not stare at operating lamp. May be harmful to the eyes.

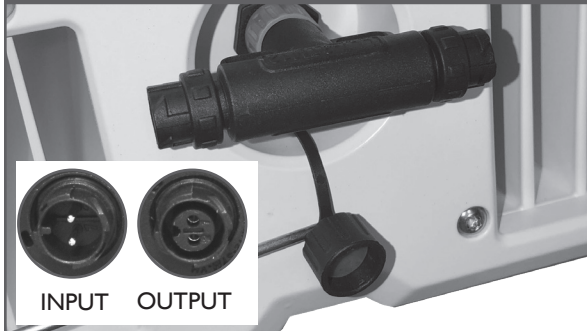
Product tested against IEC 62471

Photobiological risk is based on testing of the light output characteristic of a single luminaire. Increased exposure risk to facility personnel may be present, depending on number of luminaires and their placement and/or positioning within the facility. It is the responsibility of the facility management to address these risks at the facility level and to ensure that people entering the plant growth areas while the lights are on, are aware of these risks and that appropriate safeguards are in place.

ATTENTION

- The TriPlane Linear dimming is a 0-10V sourcing supply (0.68mA/luminaire) that can be dimmed to off, however, for maximum energy savings P.L. Light Systems recommends using the control system to isolate the mains.
- Always ensure that cords are:
 - Coiled and excess cable secured - allowing for drip loops to draw moisture away from connectors.
 - Not concealed or extended through a wall, floor, ceiling, or other parts of the building structure
 - Not located above a suspended ceiling or dropped ceiling,
 - Not permanently affixed to the building structure
 - Not routed so that they are not subject to strain and are protected from physical damage
 - Visible over their entire length
 - Used within their rated ampacity as determined for the maximum temperature of the installed environment specified in the instructions

0-10V Control Daisy-Chaining (max 25* luminaires / string)



- If daisy-chaining the 0-10V dimming, remove connector cap from 0-10V input connector on first luminaire and insert the dimming cord T-connector.
- Push and click open end of female connector on 0-10V control supply cord into the male control input connector on T-connector (should click into place).
- Secure whip end of 10V control supply cord to mounting structure, leaving enough slack to create drip loop. Connect whip end to control system.
- Insert open end of male connector on 0-10V connector cord into the female control input connector on T-connector (should click into place).
- Connect open end of female connector on opposite end of 0-10V connector cord into the male control input connector on T-connector of adjacent luminaire (should click into place).
- Continue until daisy-chain is complete.

* based on a 20mA control signal

ATTENTION: Luminaires should only be installed by qualified individuals, and in accordance with national and local building and electrical codes.