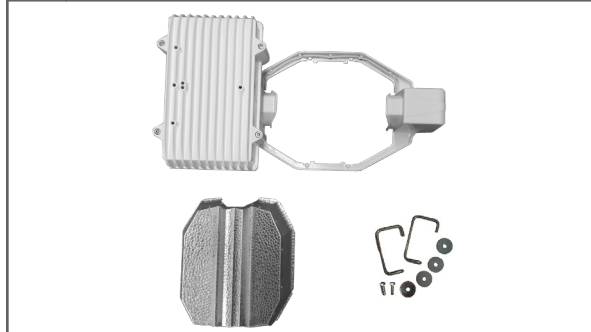


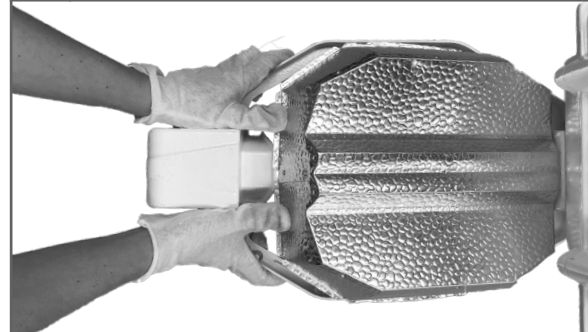


**1 Prepare Light Fixtures**



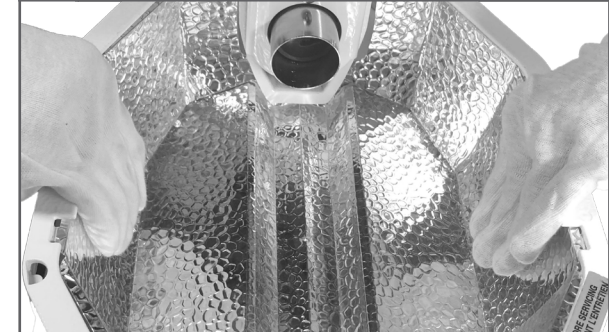
- Arrange boxed light fixtures on floor in specified mounting locations; remove fixtures and mounting accessories from boxes.

**2 Insert Reflector into Collar**



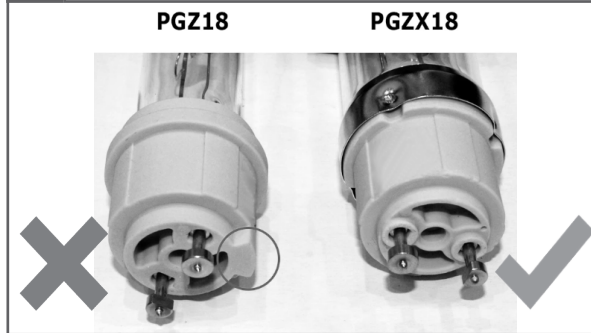
- Place open end of reflector over top of reflector bracket where it covers the lamp socket. Using thumbs, apply gentle pressure on closed end of reflector to lower and insert outer rim beneath the collar tabs. *Note: Wear cotton gloves or wash hands thoroughly with soap & water to remove any grime/oils before handling reflector.*

**3 Adjust and Secure Reflector**



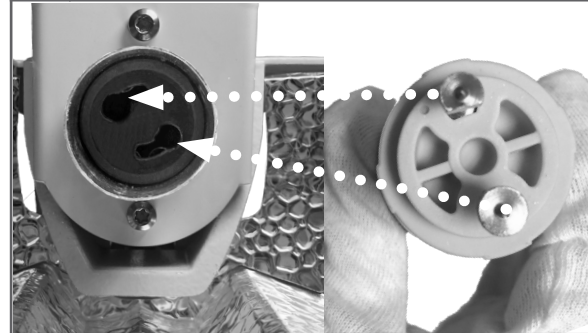
- Using both hands, adjust the reflector from the inside, by gently pressing outwards until the outer rim fits securely beneath the collar tabs on all sides.

**! IMPORTANT**



- The NXT-LP CMH fixture is compatible with 315W open-rated / protected Ceramic Metal Halide (CMP) lamps ONLY. Compatible lamp types will be designated PGZX18.

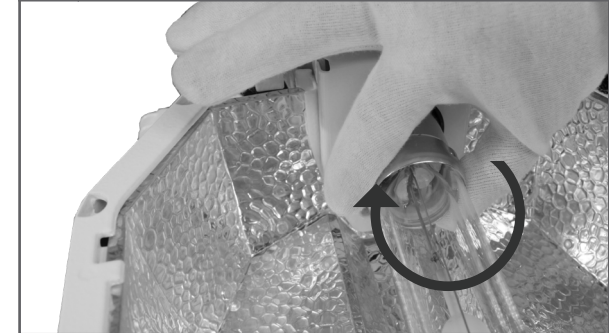
**4A Align Lamp**



- Align lamp with lamp socket so that the pins on the lamp correspond with the appropriate holes in the socket.

*Note: Wear cotton gloves or wash hands thoroughly with soap & water to remove any grime/oils before handling lamp.*

**4B Insert Lamp**



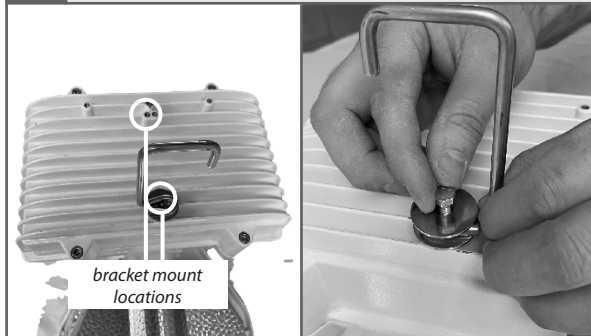
- Holding the lamp by the metal ring at the base, insert into lamp socket and rotate clockwise until the lamp is securely installed

*NOTE: Never hold the glass shell to rotate lamp, as this could cause lamp to separate from the base.*

**! ATTENTION: Install in accordance with national and local building and electrical codes. !**

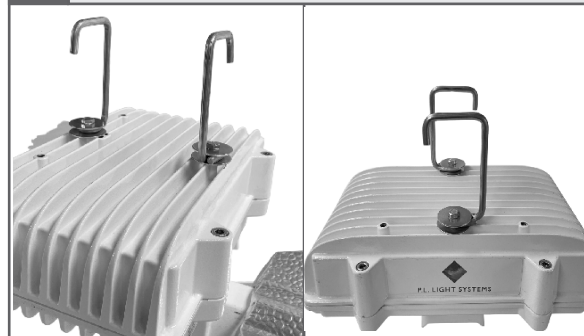


**5A** Install Mounting Brackets



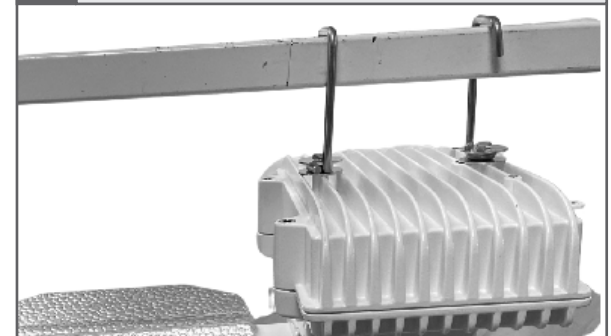
- Position one washer and first mounting bracket so that holes align with relevant bracket mount location.
- Insert bolt through hole of second washer and thread through the hole in the bracket and first washer.
- Tighten down bolt.

**5B**



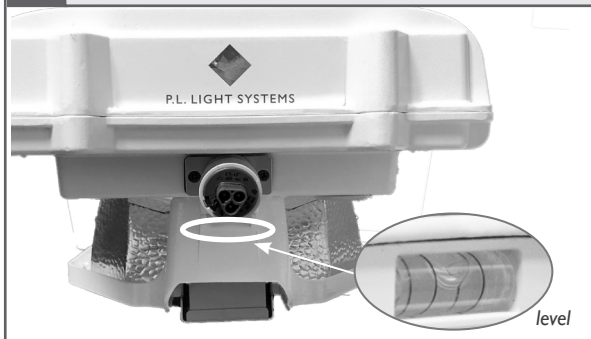
- Align hole of third washer with second mounting location on luminaire.
- Position second mounting bracket so that it is facing the opposite direction of the first.
- Insert second bolt into fourth washer, thread through the hole in bracket and tighten down.

**6** Hang Fixture



- Raise fixture to ceiling at a 45° angle to the mounting structure, then rotate it parallel so that both brackets are aligned above mounting structure.
- Lower fixture so that both brackets securely hook over top of mounting structure.

**7** Level Fixture



- Use integrated level on back of the housing to adjust the light fixture. Fixture is level when spirit level bubble is centered.

**8** Complete Electrical Connection



- Connect power cord from power supply to fixture.

**! WARNING**

- Always allow ample space above the installed luminaire to ensure good airflow. This will prevent an excessive build-up of heat between the luminaire and the ceiling which could result in damage to the electronics components and/or lamp.
- For maximum lifetime and performance of the ballast and lamp, do not rapidly cycle luminaire on and off. Always observe 15-30 minute wait time when luminaire is turned off before applying power again (restrike) to allow lamp to cool sufficiently. The control system should be limited to 2 power-up (strikes) / day. Excessive strikes / day may decrease the life of the ballast and/or lamp.



**ATTENTION: Install in accordance with national and local building and electrical codes.**

